

SS 3 HOLIDAY ASSIGNMENT

SS 3 MATHEMATICS

1. The probabilities, that three candidates A, B and C will pass an examination are $\frac{1}{2}$, $\frac{2}{3}$ and $\frac{1}{4}$ respectively. If the three sat for the examination, what is the probability that:
 - i. All will pass
 - ii. None will pass
 - iii. At least two will pass

2. When one end of a ladder, LM is placed against a vertical wall at a point 5 metres above the ground, the ladder makes an angle of 37° with the horizontal ground.
 - a. Represent the information in a diagram.
 - b. Calculate, correct to 3 significant figures the length of the ladder.
 - c. If the foot of the ladder is pushed towards the wall by 2 metres, calculate, correct to the nearest degree, the angle which the ladder now makes with the ground.

3. A bag contains 5 blue and 9 red identical balls, if two balls are drawn at random without replacement, find the probability that the balls are;
 - i. blue only
 - ii. the same colour
 - iii. different colours.

SS 3 ENGLISH LANGUAGE

GRAMMAR

1. Give two sentence examples to illustrate these types of pronouns below:
 - i. Demonstrative pronouns;
 - ii. Interrogative pronouns;
 - iii. Reflexive pronouns;
 - iv. Possessive pronouns;
 - v. Relative pronouns.

2. State the grammatical name and function of each of the following underlined expressions.
 - i. He is a very talented player though he is out of form.

- ii. I like what I hear.
- iii. I'm looking for the red book that went missing last week.
- iv. Before the commencement of the examination, she had prepared well.
- v. Looking for troubles is Tolu's stock in trade.

COMPREHENSION

New Oxford Secondary English Course for Senior Secondary Schools, Book 3,
Page 26, Vocabulary Development (Register of Government and Administration),
Numbers 1 to 10.

SUMMARY

In five (5) sentences, one for each, state the negative effects of inflation in Nigeria.

TEST OF ORALS (SPEECH WORK)

SECTION 1

From the words lettered A to D, choose the word that has the same vowel sound as the one represented by the letter(s) underlined. An example is given below

1. cleanse
 A clap
 B clan
 C many
 D lean

2. buy
 A boy
 B ivory
 C pith
 D fit

3. class

A last

B claims

C curse

D chat

4. cord
A gaunt
B quaint
C fond
D quote

5. chew
A quit
B church
C quest
D queue

SECTION 2

From the words lettered A to D, choose the word that has the same consonant sound as the one represented by the letter(s) underlined. An example is given below.

6. hand
A whore
B vehement
C annihilate
D rhetorics

7. length
A heathen
B these
C hearth
D those

8. uctuate
A chair

- B state
- C blast
- D dictate

9. placard

- A placed
- B solace
- C watch
- D chemist

10. banquet

- A shin
- B uncle
- C connect
- D bark

SS 3 BIOLOGY

- 1a. Briefly explain two ways of identifying fruits
- b. Write short note on pericarp
- c. Give two examples each of:
 - i. drupe
 - ii. berry and
 - iii. nut

- 2a. Differentiate between dehiscent and indehiscent fruits
- b. Explain fruits, under the following terms:
 - i. true fruits
 - ii. false fruits
 - iii. aggregate fruits
- c. What is a seed?

- 3a. State three differences between seed and fruit
- b. Explain the process of double fertilization in plants
- c. State the function of the following in plant fertilization:
 - i. micropyle
 - ii. pollen tube
 - iii. style

SS 3 CIVIC EDUCATION

- 1a. What are human rights?
 - b. Explain the following characteristics of human right:
 - I. Universality
 - II. Egalitarianism
 - III. Inalienability
 - IV. Fundamentality
 - c. With relevant examples, explain the first, second and third generation rights.
-
- 2a. Highlight any three (3) measures that can be put in place by the government to safeguard the rights of the citizens.
 - b. Explain any three (3) limitations to the rights of citizens.
-
- 3a. With relevant examples, explain the following types of rights
 - I. Civic/Civil right
 - II. Social right
 - III. Economic right
 - b. Define political apathy.
 - c. Highlight any (4) forms in which political apathy can manifest in citizens.

SS 3 ECONOMICS

- 1a. What is industrialization?
 - b. State and explain FOUR conditions necessary for rapid industrialization
 - c. Explain the following type of industries:
 - (I) Manufacturing industry
 - (ii) Processing Industry
 - (iii) Mining industry
-
- 2a. Define the term industrial policy.
 - b. Distinguish clearly between following pairs of concepts:
 - (i) Import substitution and export promotion strategy
 - (ii) Balanced growth and large scale industrial strategy.

- c. Explain the term “*industrial inertia*”.
- 3. Briefly but clearly explain the following term:
 - a. Indigenisation
 - b. Nationalisation
 - c. Commercialisation
 - d. Privatisation
 - e. Deregulation

SS 3 CHEMISTRY

- 1a. Explain why the glass stoppers of caustic soda solutions get stuck in the bottles.
- b. Explain what happens when:
 - i) Washing soda,
 - ii) Caustic soda is exposed to the atmosphere.
- c) What is the main source of aluminum in nature?
- 2a.) Name two metals which will not liberate hydrogen from dilute tetraoxosulphate(iv) acid.
- b.) Name two metals which form soluble tetraoxosulphate(iv) and soluble tetraoxosulphate(vi).
- c. i) Give four uses of quicklime
 - ii) How would you obtain quicklime from sea-shells
- 3.) Write short notes on the following:
 - a.) Milk of lime
 - b.) Slaked lime
 - c.) Plaster of Paris

SS 3 PHYSICS

- 1a. State the Newton’s law of universal gravitation.
- b. Two bodies of masses 50kg and 100kg are 25cm apart. Calculate the universal gravitational force between them. ($6.67 \times 10^{-11} \text{Nm}^2\text{Kg}^{-2}$)

- c. Calculate the escape velocity of a satellite launched from the earth's surface. (Take $g=10\text{ms}^{-2}$, radius of the earth as $6.4 \times 10^6\text{m}$).
- 2a. Define the terms electromagnetic waves and electromagnetic spectrum.
- b. Arrange the **Seven (7)** components of the electromagnetic waves in order of decreasing wavelength and increasing frequency.
- c. State **four (4)** differences between X-rays and Gamma rays.
- 3a. An electromagnetic wave has its wavelength shorter than those of radio wave and microwave but longer than those of visible light.
- i. Identify the wave;
 - ii. Name one suitable detector for the wave;
 - iii. Name one source of the wave.
- b. State **five (5)** properties of electromagnetic waves.
- c. Calculate the force on a mass of 10kg placed on the earth's surface. (Radius of the earth = $6.4 \times 10^6\text{m}$, mass of the earth = $6.0 \times 10^{24}\text{kg}$, $G = 6.67 \times 10^{-11}\text{Nm}^2\text{Kgm}^{-2}$)

SS 3 COMPUTER STUDIES

- 1a. Define e-mail.
- b. State the steps you will take in order to create an e-mail address.
- c. State **three (3)** differences between an e-mail address and a website address.
- 2a. Write a basic program to find the sum of any **three (3)** numbers.
- b. Write a basic program to print the first ten odd numbers.
- c. Write briefly on **two (2)** common internet browsers.
- 3a. List **three (3)** services available on the internet.
- b. Explain briefly what you understand by networking.
- c. Write briefly on the following internet terminologies.
- i. Hub
 - ii. Switch
 - iii. Router
 - iv. Modem
 - v. Repeater.

SS 3 FURTHER MATHEMATICS

1. Differentiate the following with respect to x
 - i. $y = \frac{(2x+1)^3}{(x^3-4)^2}$
 - ii. $y = (2x - 1)^3(x^2 + 5)^2$
 - iii. $y = 3x^2 + 2x - 1$
- 2a. After t seconds, a particle has traveled a distance of s metres, where $s = 27t + 15t^2 - t^3$. Find;
 - i. its velocity after 6 seconds
 - ii. acceleration after 6 seconds
- b. Find the gradient of $y = 5 - 3x^2$ at $x = 2$
- 3a. Evaluate $\int_0^3 (6x^2 - 4x + 1) dx$
- b. Prove that;
$$\frac{1-\cos \theta}{1+\cos \theta} = (\operatorname{cosec} \theta - \cot \theta)^2$$

SS 3 AGRICULTURAL SCIENCE

- 1a. Define subsistence farming.
 - b. Differentiate between natural pastures and artificial pastures.
 - c. Write three crops with their botanical names
-
- 2a. Distinguish between the terms "loan and subsidy" as used in Agricultural financing.
 - b. Define the term demand and supply.
 - c. State the law of "diminishing returns" in agricultural production.
-
- 3a. Explain the term malnutrition as used in animal Production
 - b. List four ways by which diseases are spread on a crop farm
 - c. State three characteristics of agricultural non-governmental organizations.

SS 3 GEOGRAPHY

- 1a. What do you understand by Karst region?
- b. Mention some characteristics of the Karst region
- c. Mention five importance of the Karst region.
- 2a. What is denudational process?
- b. Highlight different types of denudational process.
- c. Outline five factors affecting denudational process.
- 3a. What is mass movement?
- b. Explain the various types of mass movement processes.
- c. State five effects of mass movement.

SS 3 ANIMAL HUSBANDRY

- 1a. Define animal improvement
- b. State three aims or objectives of animal improvement
- c. Define disease.

2a. Define the following terminologies;

- i. Breed
- ii. Chromosome
- iii. Zygote
- iv. Gene

b. Differentiate between genotype and phenotype

- 3a. State four methods of farm animal improvement
- b. Explain 2 methods out of the above mentioned.
- c. What is artificial insemination.

SS 3 Data Processing

- 1a. Explain database index.
- b. Differentiate between primary key and foreign key.
- c. Differentiate between clustered and non-clustered index.
- 2a. What is crash recovery?

- b. Define log in crash recovery.
- c. Discuss the concept of **ARIES** in crash recovery.
- 3a. Differentiate between computer virus and antivirus.
- b. Mention four **(4) ways** of preventing virus into the computer system.
- c. List **four (4)** types of computer virus stating two appropriate examples each.

SS 3 ISLAMIC RELIGIOUS STUDIES

- 1a. Succinctly discuss the story of Prophet Yusuf.
- b. Discuss the treaty of Hudaibiyyah.
- c. Mention the names of any fifteen (15) of the companions that migrated with the Prophet during the Hudaibiyyah.

- 2a. Produce the transliteration of Hadith 38 of An Nawawi's collection.
- b. Translate the Hadith (in 2a) above.
- c. State five (5) moral lessons that can be drawn from the hadith above.

- 3a. Explain the following terms:
 - i. Halal
 - ii. Haram
 - iii. Sodaqah
- b. Write short note on the following:
 - i. Wajib
 - ii. Makruh
 - iii. Mandub
- c. Write out the transliteration and translation of Suratul Fil.

CHRISTIAN RELIGIOUS STUDIES

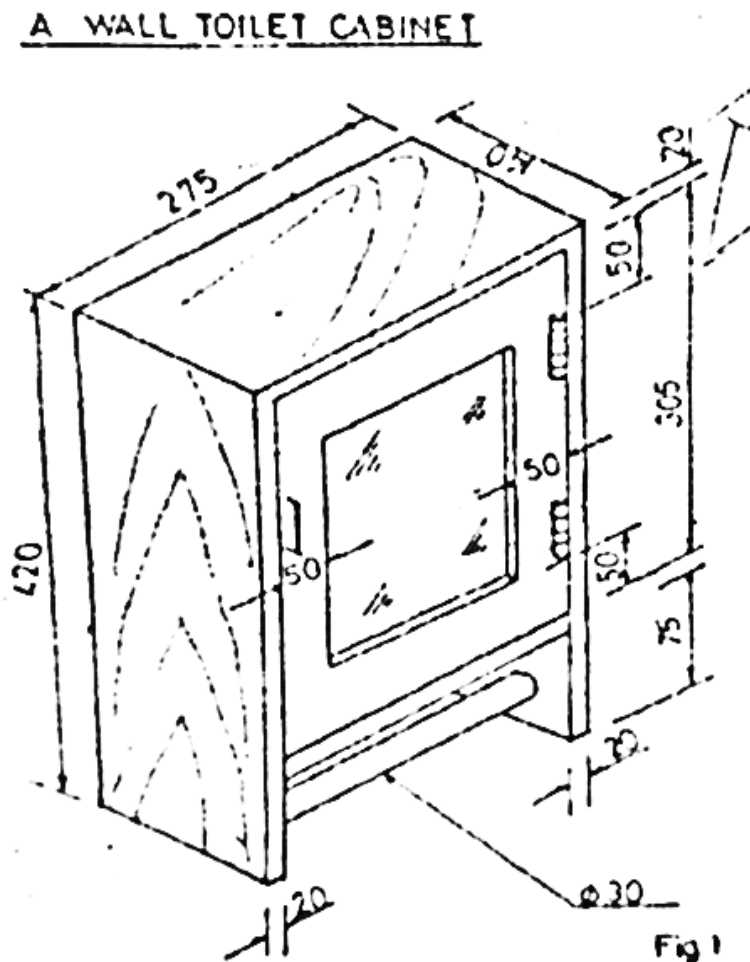
- 1a. As long as I am in the world, I am the light of the world JOHN CHAPTER 9 VERSE 5. Narrate the event that led to the above statement.
- b. What message does the teaching of Jesus as the true vine convey to his hearers and to the present day Christians?
- c. Explain what brought about religious tension in Israel during the reign of Ahab.
- 2a. Narrate the contest between the Elijah and the prophet of baal at mount carmel
- b. Explain the term divine rejection
- c. Narrate the story in which David spared the life of Saul
- 3a. Highlight two ways by which we can eliminate greed in our society
- b. Trace the circumstances that caused Daniel to be cast into the lions den.
- c. Describe Isaiah's confrontation with the holiness of God in the temple.

SS 3 GOVERNMENT

- 1a. Define the term local government.
- b. Highlight any three (3) attributes possessed by local government.
- c. Explain any three (3) factors or reasons that are considered in the creation of local government.
- 2a. Briefly explain any three (3) internal sources of revenue available to local government.
- b. Discuss any three (3) external sources of revenue available to local government.
- c. Highlight any four (4) functions performed by local government.
- 3a. In a tabular form, mention any four (4) distinctions that can be found between civil service and public corporation.
- b. Briefly explain the following attributes of the civil service:
 - I. Anonymity
 - II. Permanence
 - III. Expertise

IV. Political neutrality

SS 3 FURNITURE MAKING



1. The drawing shown above is the isometric projection of a wall toilet cabinet.
Attach to the cabinet is a mirror and a towel rail. Study and draw to scale 1:5, the
 - a. Front elevation
 - b. End elevation
 - c. Plan
2. Sketch an exploded pictorial view of the joint between the towel rail and one side of the wall cabinet shown above
3. (a) Make a neat sketch of a claw hammer
(b) State two major functions of the claw hammer

SS 3 COMMERCE

1. Write short note on the following terms used in stock market:
 - a. Contango
 - b. Backwardation
 - c. Right issue.
- 2a. What is Nationalization?
 - b. State any four reasons for Nationalization.
 - c. Explain any one of the reasons stated above.
- 3a. State any three disadvantages of Nationalization.
 - b. State any three advantages of Nationalization.
 - c. What is indigenisation?

SS 3 FINANCIAL ACCOUNTING

- 1a. Define accounting ratio.
 - b. Identify three limitations of accounting ratio
 - c. Which of the profitability ratio is a yardstick employed to measure the efficiency of the management in utilizing the assets of the business?
2. Briefly explain the following
 - a. Profitability ratio
 - b. Liquidity ratio
 - c. Investment ratio.
- 3a. What is a company?
 - b. State three of the steps required for the formation of a company.
 - c. Mention the final accounts of a limited company.

ISE ASETILEWA KIN-IN-NI SS3

1. Fun aroko ajemo isipaya ni oriki.
2. Se akosile Marun un lara apeere ori oro fun aroko ajemo isipaya.
3. Se alaye kikun lori iwa omoluabi.
4. Ko abuda Marun un pelu alaye lori iwa omoluabi.

SS3 DEVOIR

- 1a. Expliquez l'existentialisme de Jean-paul sartre environ de trente mots.
- b. Discutez les types de l'existentialsme de Jean-Paul sartre.
- c. Parlez de mouvement de Dadaïsme à peu près trente mots.
2. Conjugaison des verbes:
 - a. Conjuguez les verbes suivants au passé composé.
 - i. Regarded
 - ii. Partir
 - iii. Dormer
 - b. Conjuguez les verbes suivants au present à l'indicatifs.
 - I. Lancer
 - ii. Tomber
 - iii. Sortir
 - c. Conjuguez les verbes suivants à l'imparfait.
 - I. Manger
 - ii. Habiller
 - iii. Souligner
- 3a. Écrivez cinq couleurs en Français et puts en Angais.
- b. Nommez cinq pays Francophones en afrique.
- c. Formez une phrase chacune avec les verbes suivants:
 - I. Marcher
 - ii. Vendre
 - iii. Parler.

DYEING AND BLEACHING SS3

- 1a. Explain five methods of tying a fabric
 - B. Explain the process of dyeing a fabric
 - c. Who is a textile designer?
-
- 2a. Define motif
 - b. Explain five sources of motif
 - c. What is pattern making?
-
- 3a. Explain the principles of design
 - b. Highlight Two elements of design
 - c. Explain the process of creating a batik production

SS 3 VISUAL ARTS

- 1a. Explain art terminologies
 - b. State five art terms
 - c. Highlight four values of art
-
- 2a write briefly on Pablo Picasso
 - b. Explain graphics design
 - c. State five aspect of graphics design
-
- 3 Write short notes on the following art movement.
 - a. Expressionism
 - b. Naturalism
 - c. Impressionism

SS 3 TECHNICAL DRAWING

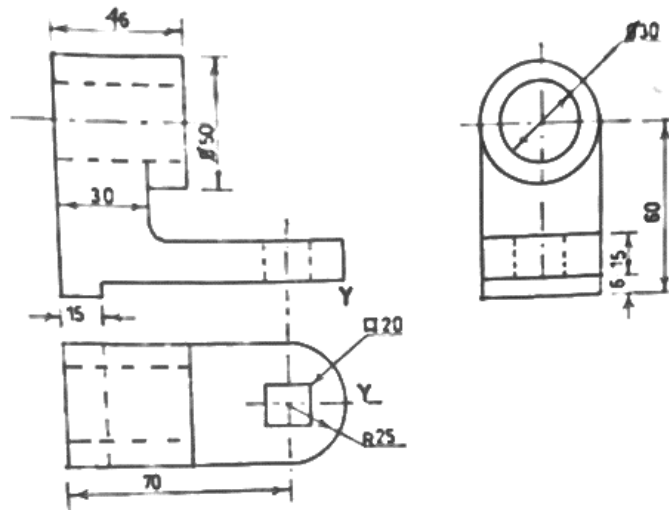


Fig. 1

1. Fig 1 shows the orthographic projections of a bracket in first angle. Draw full size, the isometric view of the bracket making Y the lowest point.
2. (a) Draw a regular pentagon of sides 30mm and construct its involutes
 (b) i. Construct an escribed circle to a triangle of sides 50, 65, and 75 to touch the shortest side of the triangle
 ii. Measure and state the radius of the circle

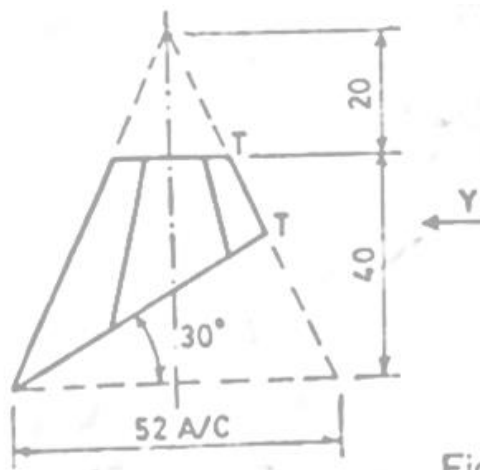


Fig. 2

3. Fig. 2 shows a truncated hexagonal pyramid. Draw full size, in first angle projection, the
 - a. Given view
 - b. End view in the direction of arrow Y,
 - c. Plan;
 - d. Surface development with T-T as seam.

